

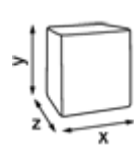



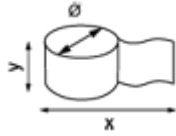
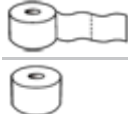


# Katrin Classic System towel M2

460102

- A hygienic solution based on extremely absorbent mixed fibre paper for effective drying
- 2-Ply, white
- Flat sheets are fed out in the right size
- Zero wastage with all the paper on the roll used up
- Large amount of paper on the roll
- When used in conjunction with the Katrin Inclusive System Towel Dispenser, the number of sheets per roll will be 711
- Suitable for all washrooms but especially where there is medium to high traffic
- Soft and strong
- Controlled consumption and reduced cost in use
- Approved for short-term contact with food
- Certified under the Nordic Swan Eco Label
- Dermatologically tested and approved



## Product / Consumer pack

	x 190 mm y 210 mm z 190 mm		White 2		1.53 kg 2 x 24 g/m <sup>2</sup>
	x 160000 mm y 209 mm		Ø 190 y 209 mm x 160 m		1 1
			Ø 42 mm		6414300460107

## Transport pack

	x 380 mm y 230 mm z 570 mm		6 6		9.66 kg 6414305460102
---	----------------------------------	---	--------	---	--------------------------

## Transport pallet

	x 800 mm y 2220 mm z 1200 mm		36		373.26 kg 6414307460100
---	------------------------------------	---	----	---	----------------------------

## Related products



90045  
**Katrin Inclusive  
System Towel  
Dispenser - White**



92025  
**Katrin Inclusive  
System Towel  
Dispenser - Black**



40711  
**Katrin System  
Towel Dispenser  
XL - Black**



40735  
**Katrin System  
Towel Dispenser  
XL - White**